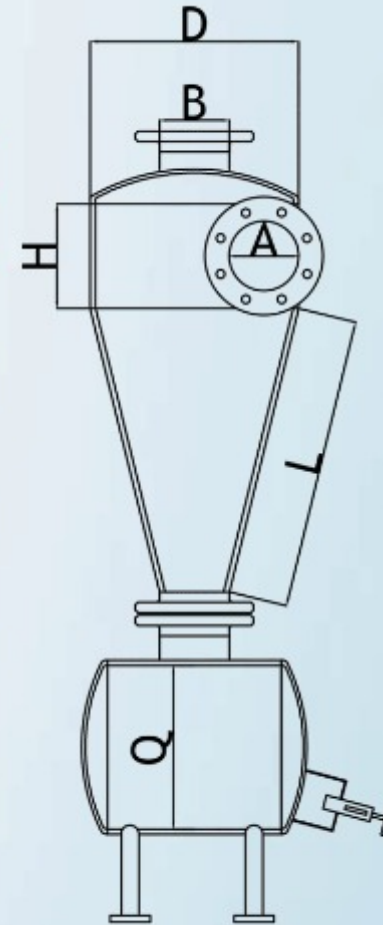
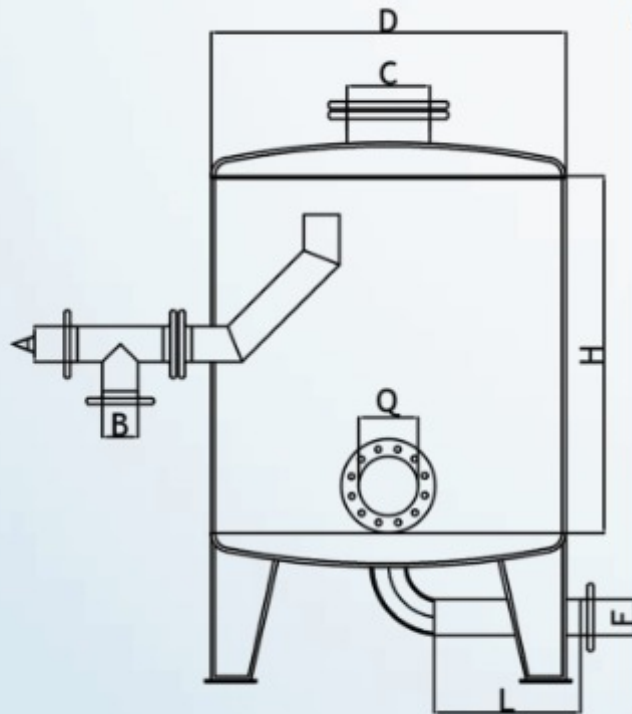


## under pressure Hydrocyclones

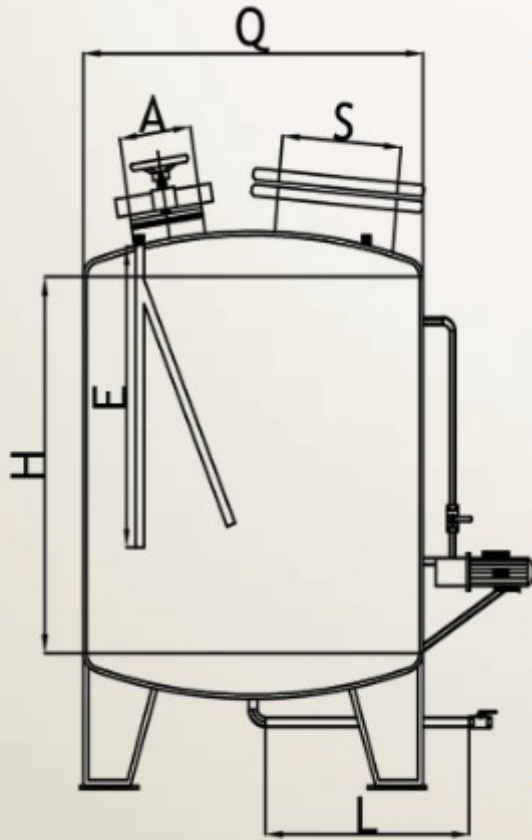
Model	Dimensions ( mm )						FlowRange (lit/s)
	A	B	D	H	L	Q	
ZPH8"	50	50	200	110	320	150	1-4.5
ZPH12"	80	80	320	200	480	320	4.5-8
ZPH16"	100	100	380	250	500	400	8-14
ZPH20"	125	125	480	250	670	500	14-20
APH24"	150	150	600	300	840	500	20-30
ZPH28"	200	200	700	350	990	600	30-45
ZPH32"	250	250	800	400	1200	600	45-58
ZPH40"	300	300	1000	420	1300	800	58-80
ZPH48"	350	350	1200	450	1420	800	80-95





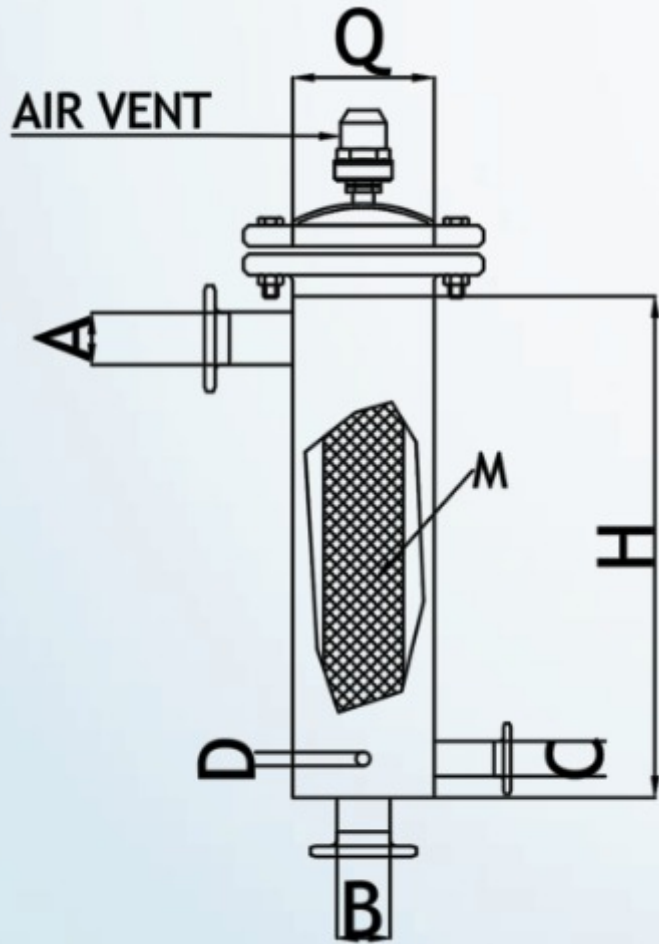
under pressure Sand filters

Model	Dimensions ( mm )								FlowRange (lit/s)	The number of nozzles
	A	B	Q	L	F	H	C	D		
ZSFP12	50	50	100	220	50	750	100	320	0.5-2	10
ZSFP16	50	50	100	260	50	750	100	380	2-3	15
ZSFP20	50	50	100	310	50	1000	125	480	3-4	19
ZSFP24	80	50	125	360	80	1000	150	600	4-5	27
ZSFP32	80	50	200	400	80	1000	200	800	5-7	41
ZSFP40	100	80	200	450	100	1500	350	1000	7-9	55
ZSFP48	100	100	250	500	100	1500	350	1200	9-15	69
ZSFP60	150	125	250	620	150	1500	350	1500	15-25	150
ZSFP76	150	150	250	620	150	1500	350	1900	25-35	230
ZSFP96	200	150	250	840	200	1500	350	2400	35-45	295



## Fertilizer Tanks

Model	Dimensions ( mm )									Max Flow Rate (lit/s)
	H	Q	A	S	E	L	IN LET	OUT LET	DRAIN	
ZFT 60	750	320	150	-----	500	-----	12.5	12.5	12.5	0.25
ZFT 90	750	380	150	-----	500	-----	18.5	18.5	12.5	0.562
ZFT 120	750	440	150	-----	500	-----	18.5	18.5	12.5	0.562
ZFT 200	750	600	200	-----	600	-----	18.5	18.5	12.5	0.562
ZFT 300	850	600	200	-----	600	400	18.5	18.5	18.5	0.562
ZFT 500	1000	800	200	-----	800	500	25	25	18.5	1
ZFT1000	1000	1000	200	350	800	600	25	25	25	1
ZFT1500	1000	1400	200	350	800	800	25	25	25	1
ZFT2000	1000	1600	200	350	800	900	50	50	25	4



under pressure Micro filters

Model	Dimensions ( mm )						Flow Rate (lit/s)
	A	B	C	D	H	Q	
AMF 650	50	50	50	12.5	500	150	0.5-3.5
AMF 675	50	50	50	12.5	750	150	1.5-4
ASMF 675	50	50	50	-----	720	150	1.5-4
AMF 875	80	80	50	12.5	750	200	2.5-5.5
ASMF 875	80	80	50	-----	720	200	2.5-5.5
AMF 890	100	100	50	12.5	900	200	3.5-7.5
ASMF 890	100	100	50	-----	870	200	3.5-7.5